



Balance 2500 Mounting Kit Installation Guide

A. In the Kit



Slide and Rail

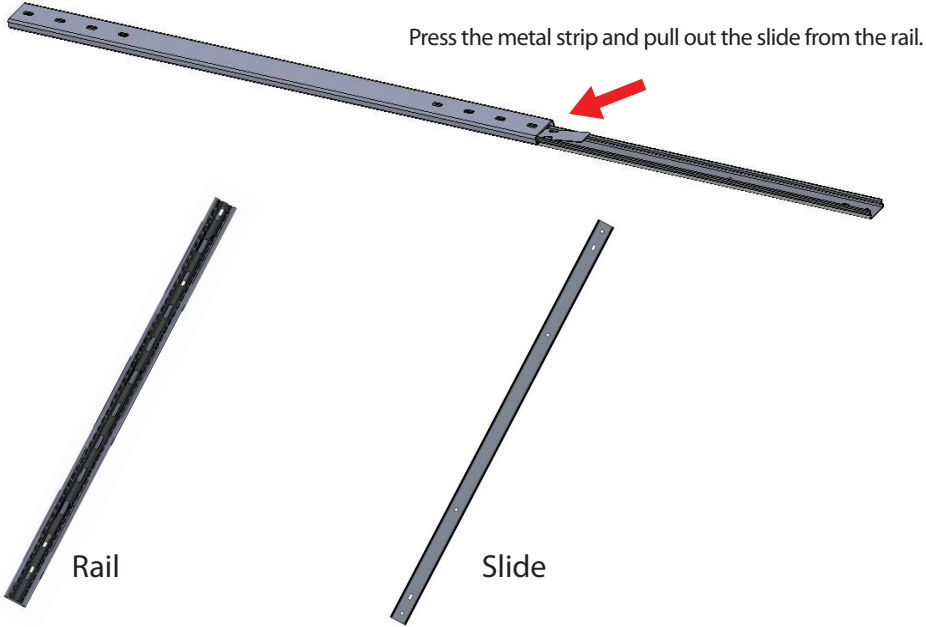


L-Bracket

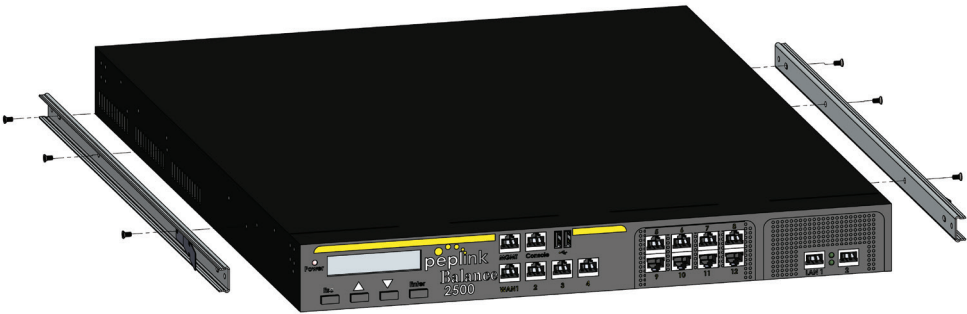


Screws and Caps

B. Prepare the Slide and Rail

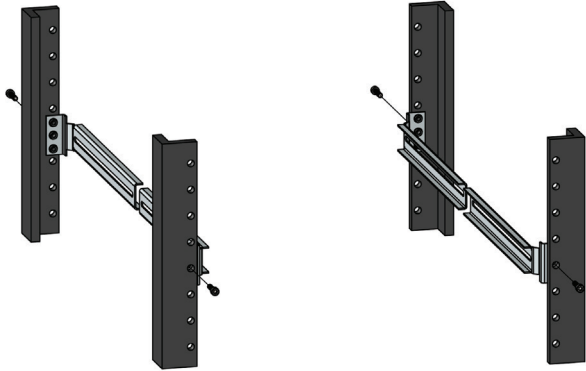


C. Prepare the Device

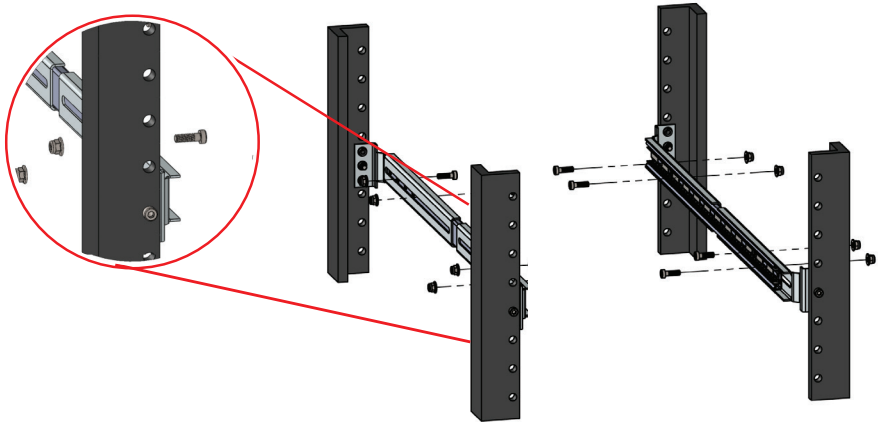


Attach the slide to the Balance 2500 with screws.

D. Prepare the Rack



1. Mount the L-Bracket on your rack with screws



2. Screw the Rails to the L-Brackets with caps behind

E. Combine the parts



Slide the Balance 2500 into the rack.



Done