

Peplink MediaFast

Lightning Fast Content Delivery. And So Much More.



MediaFast 500

Works with:



iTunes U



iOS Updates



TED.com

and more...

MediaFast is our supercharged content caching solution. Designed with education and entertainment in mind, it downloads and accelerates video, iTunes U, iOS updates, app download, and other content for uninterrupted learning and fun anytime.

Prefetch. Off-Peak Downloads. Anytime, Anywhere Playback.

Schedule one-time or recurring content downloads during off-peak hours, and then playback downloaded content anytime. Need HD video and other content in places with spotty or congested Internet connections? Download whenever and wherever the connection is best. Then pack up and take the MediaFast anywhere you need seamless content delivery.

Cache. Download x1. Playback x∞.

Cache iTunes/iTunes U and other content automatically by domain and file type. With MediaFast, you can download once and play back over and over again, cutting loading time, bandwidth usage and cost. Keep content as long as you like or purge it automatically by file type and age.

Reporting. Insight. On-Demand.

Check bandwidth usage and savings. Track popular URLs and file types. You can also monitor client IP addresses, find your heaviest users, and more, all from a single intuitive interface.

iOS and App Caching.

Managing hundreds of iPads at your campus? The MediaFast can cache iOS updates and app downloads. Download the updates once, and apply to all iPads without consuming extra bandwidth or stressing the network.

SpeedFusion. Bonded Bandwidth. 24/7 Connectivity.

Take advantage of all available connections with SpeedFusion bandwidth bonding and load balancing. Automatic failover keeps your learners learning and teachers teaching, even when a link fails.

InControl 2 and AP Controller. Your Network. At Your Fingertips.

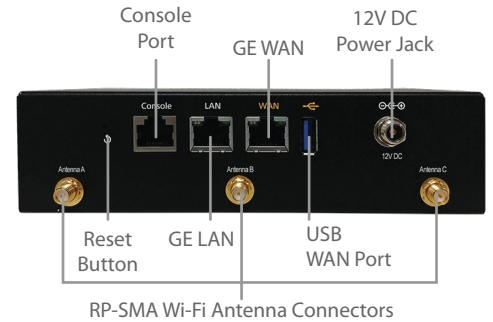
Monitor and manage routers, access points, and other connected devices with InControl 2 and AP Controller. Wi-Fi networks are easy to set up, and you get complete control over your entire wireless and wired network from any compatible web browser.

Specifications

	Branch Office/Hotspot		School/Campus	
	MediaFast 210	MediaFast 500	MediaFast 750	MediaFast 750
Product Code	MFA-210-W	MFA-500-B	MFA-750-B	MFA-750-B
Cache Throughput	200Mbps	1.5Gbps	2.5Gbps	2.5Gbps
Router Throughput	200Mbps	800Mbps	1.5Gbps	1.5Gbps
Cache Storage	1TB SSD	500GB SSD	1TB SSD	1TB SSD
Recommended Users	25-150	300-1000	500-2000	500-2000
WAN Interface	1x GE 1x USB Interface	5x GE 1x USB Interface	7x GE 1x USB Interface	7x GE 1x USB Interface
Wi-Fi Interface	802.11ac or 802.11a/b/g/n AP	○	○	○
LAN Interface	1 (GE)	3 (GE)	3 (GE)	3 (GE)
Video and Content Caching	●	●	●	●
Multi-WAN Load Balancing	○	●	●	●
PepVPN	●	●	●	●
Web Filtering Blacklist	Light	Full	Full	Full
SpeedFusion Hot Failover	○	●	●	●
SpeedFusion WAN Smoothing	○	●	●	●
SpeedFusion Bandwidth Bonding	○	●	●	●
Number of PepVPN/ SpeedFusion Peers	2	50	300	300
InControl Cloud Management	●	●	●	●
AP Controller	●	●	●	●
Maximum No. of AP Supported	50	100	250	250
Manage Remote AP & Multiple Config Profiles	○	●	●	●
Operating Temperature	32° – 104°F (0° – 40°C)			

*PoE Kit is available separately.

MediaFast 200



Features

WAN
Support for PPPoE, Static IP, DHCP
WAN Link Health Check
Bandwidth Allowance Monitor
USB 4G LTE/3G Modem Support
Support for Dynamic DNS Services
IPv6 Support

LAN
DHCP Server for LAN Clients
Extended DHCP Options
DHCP Reservation
DNS Proxy for LAN Clients

DNS*
Built-in Authoritative DNS
Support for A, CNAME, NS, MX, PTR, SOA, SRV, TXT Records

Advanced QoS
User Groups
Bandwidth Reservation*
Individual Bandwidth Limit
Application Prioritization
By User Groups
SIP, HTTPS, VPN QoS
Custom Application QoS

Caching
Video Caching
iTunes
iTunes U
TED.com
Content Caching
HTML
JavaScript
Image
Flash Applications

Networking
NAT and IP Forwarding
Static Routes
Port Forwarding
Many to One, One to One NAT
NAT Pool
SIP ALG, H.323 ALG
UPnP, NAT-PMP
WINS Server
OSPF and RIPv2 support*

AP Controller
Support for Peplink AP Series
Auto AP Discovery
Auto AP Firmware Management
AP Profile Configuration
Wi-Fi usage statistics

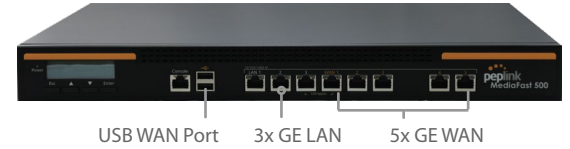
Load Balancing
Intelligent Failover
Session Persistence
Per-Service Load Distribution
Multiple Algorithms

Complete VPN Solution
PepVPN/SpeedFusion
Site-to-Site VPN
Bandwidth Aggregation
Intelligent Failover
256-bit AES Encryption
Pre-shared Key Authentication
Dynamic Routing
PPTP VPN Server
RADIUS, LDAP Authentication
IPsec VPN (Network-to-Network)

Device Management
Web Administrative Interface
Command Line Interface
InControl Cloud Management
Router Utility Mobile App
Email Notification
Active Client & Session Lists
Bandwidth Usage Statistics
Syslog Service
SNMP v1, v2c and v3

Security
Stateful Firewall
DoS Prevention
Web Filtering Blacklist

MediaFast 500



MediaFast 750



*Specifications vary across different models. For the most updated specifications, please refer to our website.

